



Technical Specification

Viewguard and Screenguard Roller Shutter

Visit www.hvpshutters.co.uk for downloadable CAD drawings and full specification text

Construction:

Manufactured from 75mm curved galvanised steel 20 or 22 gauge. Galvanised steel T or L section bottom rail; Galvanised steel guides 10 gauge 65mm – 104mm x 33mm.

Operation:

Manual push up/pull down operation; or electric operation by internal tubular motor with manual override facility. Safety brake fitted when required to comply with BS EN 13241:2003-1 (HVP Security Shutters' general policy is to fit a safety brake unless specified otherwise).

Locking Options:

Bottom rail central key lock, or Guide pin locks, or Ground padlocking system. Electrically operated shutters are generally Self Locking. For additional security HVP Security Shutters recommends guide pin locks or a ground padlocking unit combined with a motor isolator box.

Finish:

Galvanised Self Colour finish or Polyester Powder Coated

Maximum Sizes:

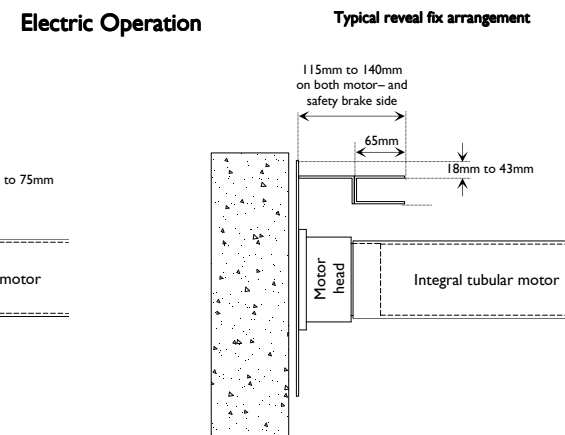
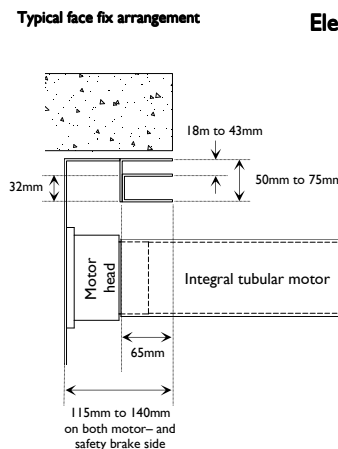
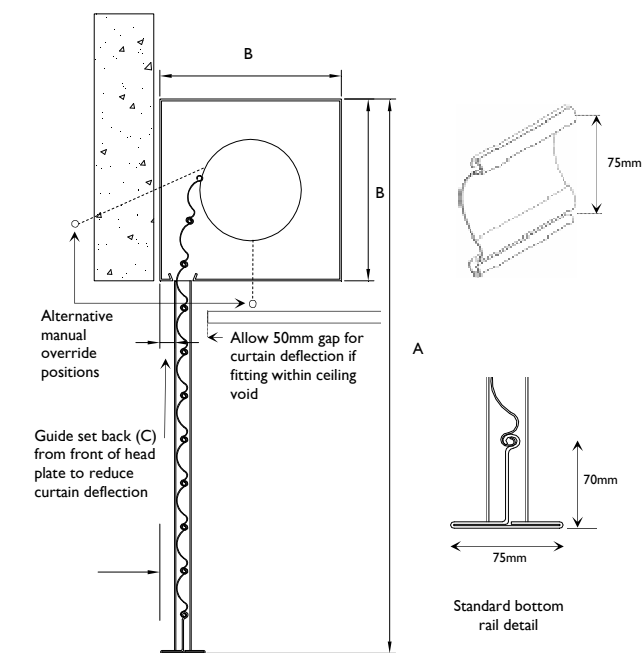
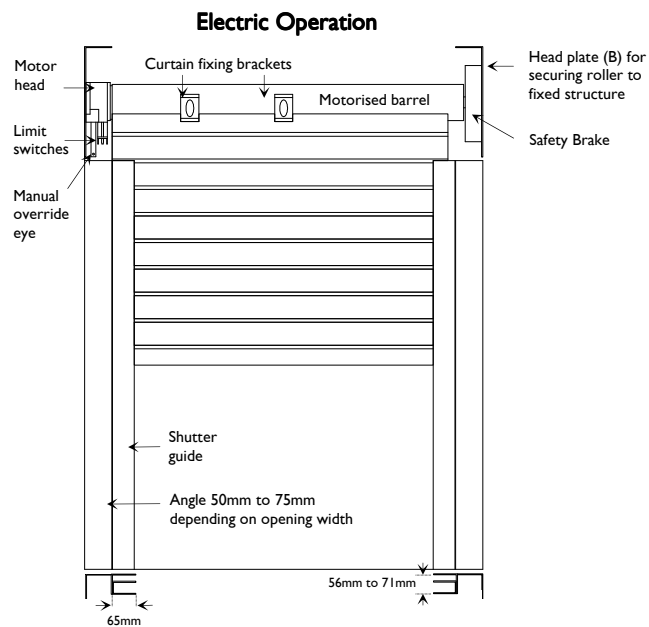
manual: 2500mmW x 2500mmH
electric: 7600mmW x 5500mmH *

* An industrial motor may be required depending on shutter weight - see industrial shutter brochure for details.

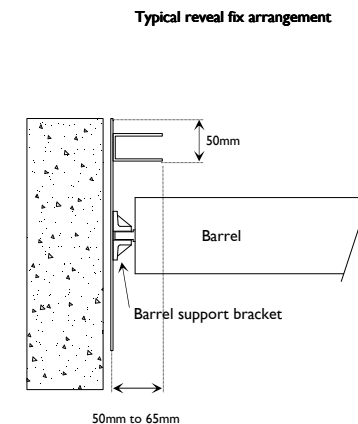
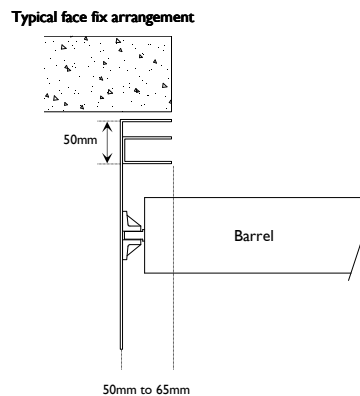
Size Guide:

Shutter Height A	Typical Dim B	Typical Dim C *
Up to 2400mmH	305mm	25mm
Up to 3600mmH	355mm	30mm
Up to 4500mmH	405mm	30mm

We have done our best to ensure the information on this brochure was accurate at the time of printing. We do, however, reserve the right to change specification without prior notice.



Manual Operation



For shutter weights please visit www.hvpshutters.co.uk or contact HVP Security Shutters on 01392 270218

HVP Security Shutters Ltd

4 GRACE ROAD WEST, MARSH BARTON, EXETER, EX2 8PU

Tel: 01392 270218 | Fax: 01392 278548 | Email: info@hvpshutters.co.uk

www.hvpshutters.co.uk

Company Reg. No. 1406952



Screeneguard & Viewguard

Strong security for a wide range of applications



The Viewguard's perforated lath allows merchandise to be seen through the shutter curtain, whereas the Screeneguard is completely solid.



Lath Screeneguard - Solid



Lath Viewguard - Perforated

HVP's Screeneguard and Viewguard are ideal roller shutters for shopfronts that need a higher level of security. Made from curved lath they are formidable barriers that deter even the more determined attacker.

The Screeneguard is a completely solid shutter, whereas the Viewguard has perforated lath that allows light to pass through. With the lights left on at night, the shutter becomes transparent, which makes the Viewguard an ideal choice for window displays.

These shutters are ideal for retail premises, but are equally effective on a wide range of other applications.

- Suitable for a wide range of applications including shopfronts, office buildings, train stations, airports, stadiums, medical practices, kiosks, information centres, ...

- **Simple, effective design**
- **Strong and cost effective**
- **Allows visibility of goods on display** (viewguard only)