

# K25 & K-Lite Aluminium Roller Shutters

## Unobtrusive and Strong Domestic Security Shut-



The K25 and K-Lite are ideal security shutters for domestic applications. Manufactured from aluminium, they are both lightweight and strong, and can be used both internally and externally.

The shutters are elegant, quiet to operate and roll up into a small box. This makes them particularly suitable where headroom is limited.

The cost effective K-Lite is a roll-formed shutter with a foam filling for strength. It is suitable for low risk applications. For medium to high risk applications the stronger K25 is the right choice. The K25's curtain is manufactured from a heavy double wall aluminium profile.

Lath with ventilation / light slots available.

*The K25 and K-Lite are ideal for domestic applications. They are lightweight and strong, and can be used both internally and externally.*

### The perfect domestic roller shutter:

- Standard colours white or dark brown
- Aluminium shutters can be used both internally and externally
- K25 roller shutter (not K-Lite) can be powder coated to any standard RAL colour
- Available with vented lath to give airflow when closed

- **Small and elegant**
- **Quiet in operation**
- **Lightweight and strong**
- **Low maintenance**



Visit [www.hvpsutters.co.uk](http://www.hvpsutters.co.uk) for more information and CAD-friendly drawings

Telephone 01392 270218 | Fax 01392 278548 | Email [info@hvpsutters.co.uk](mailto:info@hvpsutters.co.uk)





# Technical Specification

## K25 and K-Lite Aluminium Roller Shutter

Visit [www.hvpshutters.co.uk](http://www.hvpshutters.co.uk) for downloadable CAD drawings and full specification text

**Construction:**  
 Manufactured from 44mm extruded aluminium lath profile (K25) or foam filled aluminium lath profile (K-Lite); Extruded aluminium 60mm bottom rail; Aluminium guides 53mm x 22mm. Lath with ventilation / light slots available.

**Operation:**  
 Manual push up/pull down operation; or electric operation by integral tubular motor with manual override facility. Safety brake fitted when required to comply with BS EN 13241:2003-1 (HVP Security Shutters' general policy is to fit a safety brake unless specified otherwise).

**Locking Options:**  
 Bottom rail central key lock or guide pin locks. Electrically operated shutters are generally self locking.

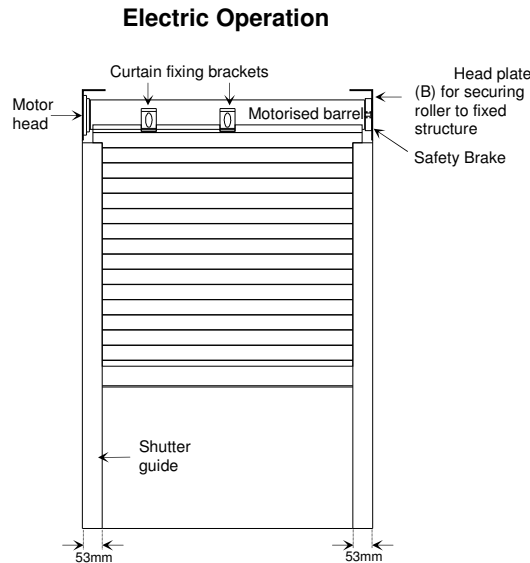
**Finish:**  
 Polyester Powder Coated White or Dark Brown as standard; limited range of other colours available for K-Lite. A full range of RAL colours is available for the K25.

**Maximum Sizes:**  
 K-Lite: 3000mmW x 3000mmH (max. 6m<sup>2</sup>)  
 K25: 4000mmW x 3000mmH (max. 9m<sup>2</sup> electric operation or 6m<sup>2</sup> manual operation)

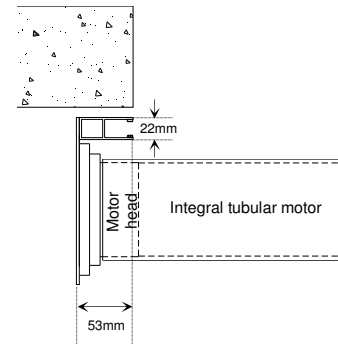
**Size Guide:**

Shutter Height A	Typical Dim B
Up to 1600mmH	180mm
Up to 2200mmH	205mm
Up to 3000mmH	250mm

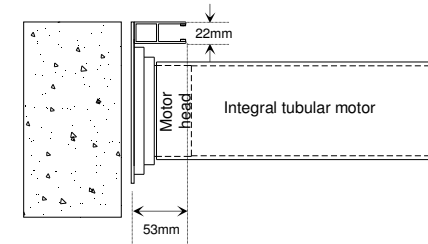
We have done our best to ensure the information on this brochure was accurate at the time of printing. We do, however, reserve the right to change



Typical face fix arrangement



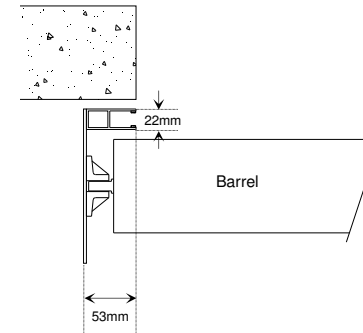
Electric Operation



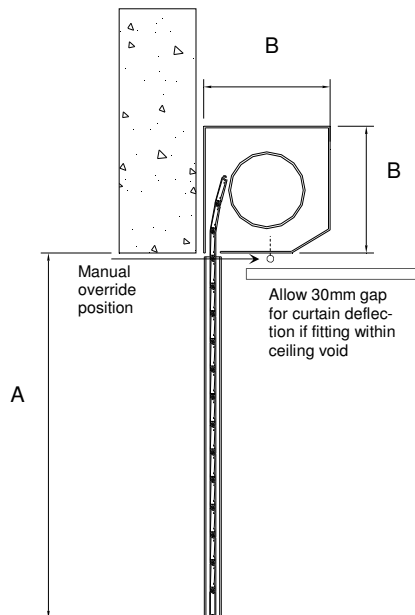
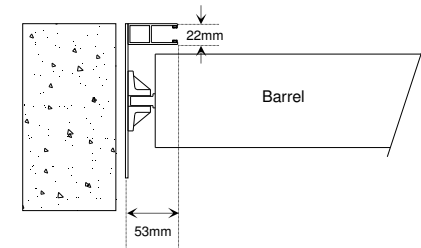
Typical reveal fix arrangement

**Manual Operation**

Typical face fix arrangement



Typical reveal fix arrangement



For shutter weights please visit [www.hvpshutters.co.uk](http://www.hvpshutters.co.uk)

**HVP Security Shutters Ltd**  
 4 GRACE ROAD WEST, MARSH BARTON, EXETER, EX2 8QA  
 Tel: 01392 270218 | Fax: 01392 278548 | Email: [info@hvpshutters.co.uk](mailto:info@hvpshutters.co.uk)  
[www.hvpshutters.co.uk](http://www.hvpshutters.co.uk)

